



Company Profile CONTROSEC 2026





Overview

Controsec is a specialized system integrator delivering comprehensive solutions for security systems and smart technologies, aligned with the evolving demands of modern projects across Saudi Arabia.

At **Controsec**, we focus on supplying advanced solutions in CCTV systems, access control, networking, and low-current systems, ensuring high quality, reliability, and prompt delivery.

Our experienced team is committed to supporting project requirements of various scales, while building long-term partnerships through dependable solutions and professional service.



Our Mission

Our mission is to deliver integrated and reliable system solutions by supplying the latest technologies that efficiently meet project requirements with high quality standards.

We are committed to ensuring customer satisfaction by consistently exceeding expectations, adhering to project timelines, and delivering on our promises with precision and reliability. We also focus on building sustainable and long-term relationships with both our clients and suppliers, fostering trust, mutual growth, and continuous collaboration.

Through a skilled and responsive team, we aim to provide value-added products and services that support our clients' success while maintaining the highest levels of professionalism and integrity.

Our Vision

To become the leading and most trusted system integration partner in Saudi Arabia, driving innovation in technology solutions by delivering advanced, reliable, and high-performance systems that enhance security and operational efficiency across our clients' projects.

We strive to establish ourselves as a market benchmark through unwavering commitment to quality, building long-term strategic partnerships, and delivering sustainable value that consistently exceeds client expectations.





Our Services

Controsec offers a comprehensive range of system integration services, focusing on supplying advanced technology solutions that meet diverse project requirements with high standards of quality, reliability, and timely delivery.

Our services include the supply of CCTV surveillance systems, access control systems, network and IT infrastructure, as well as low current systems such as fire alarm systems, audio systems, and other related technological solutions.

We support our clients through technical consultations, project requirement assessments, and the delivery of tailored solutions that ensure optimal operational efficiency. We are committed to meeting deadlines while building sustainable partnerships with both clients and suppliers based on trust and long-term collaboration.

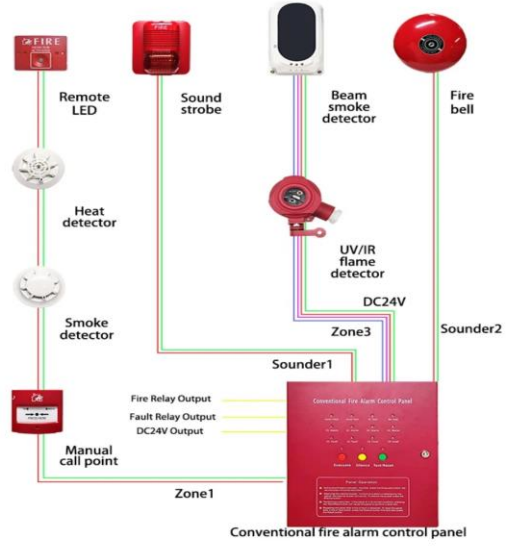
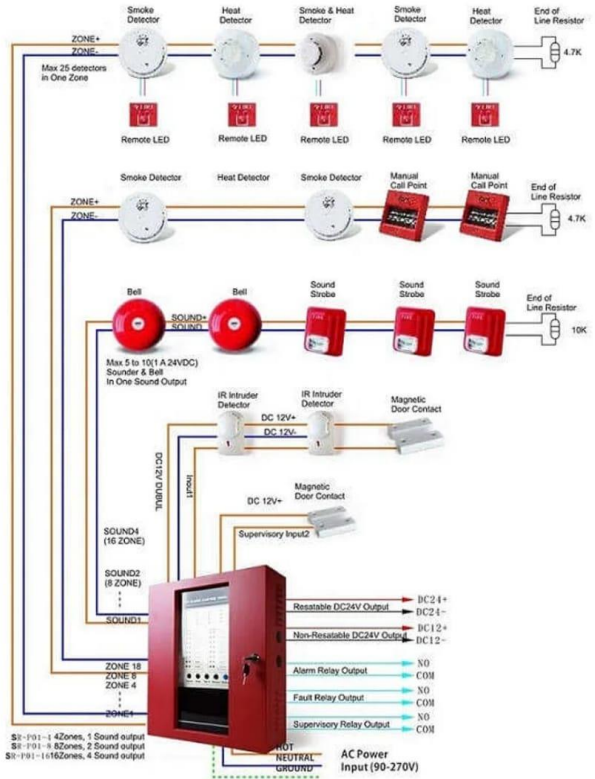


Our **controsec** provides specialized services in the **supply and installation of Fire Fighting equipment and systems** for residential, commercial, and industrial projects, following recognized safety and quality standards.

Our goal is to deliver reliable solutions that help protect lives and property while minimizing fire risks.

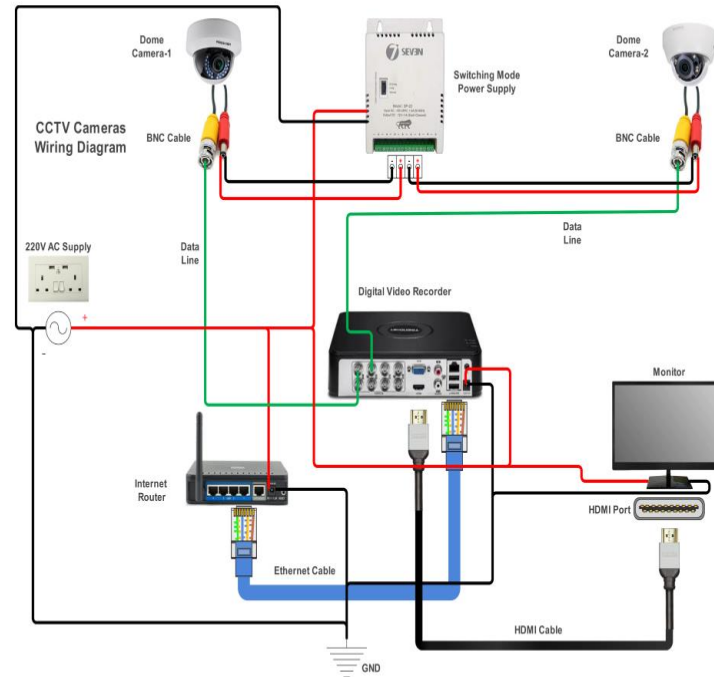
Our services include the supply and installation of **fire extinguishers of various types, fire hose reels, fire cabinets, and essential firefighting equipment**, ensuring proper installation and readiness for emergency situations.

We are committed to providing high-quality products that meet project requirements, focusing on reliability, efficiency, and effective fire protection solutions.



We provide **supply and installation services for Fire Alarm Systems** designed for early fire detection and rapid alert.

Our scope includes **Fire Alarm Control Panels, Smoke and Heat Detectors, Alarm Bells, and Manual Call Points**, installed according to recognized standards to ensure reliable system performance.



CCTV Systems

CCTV systems play a key role in enhancing security for residential, commercial, and industrial facilities. At **Controsec**, we provide reliable surveillance solutions with high-definition cameras, night vision, motion detection, and remote monitoring via mobile and desktop.

Our scope includes complete system supply—cameras, NVR/DVR, storage, networking, and installation accessories—designed to ensure efficient coverage, improved control, and scalable expansion as needed.



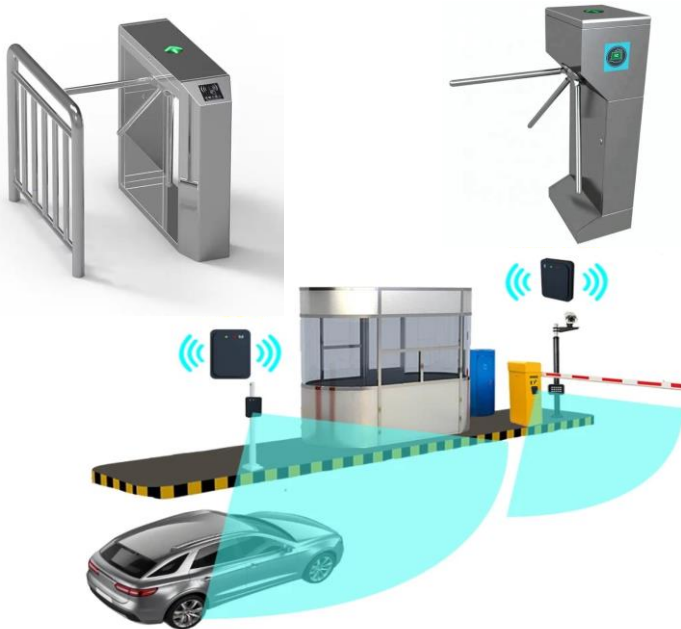
Access Control System

An Access Control System is an integrated security solution used to manage and regulate the entry and exit of individuals and vehicles within a facility.

It utilizes various technologies such as access cards, biometrics (fingerprint/face recognition), and vehicle access systems to ensure that only authorized users are granted access.

The system enhances security, provides centralized control, and generates detailed activity reports.

It can also be integrated with other systems such as CCTV, improving overall operational efficiency while maintaining a safe and scalable environment.





هذه العلامات التجارية في إطار التعاون المحتمل وتبادل الخبرات التقنية.

These brands are listed as potential partners for future cooperation and technical collaboration.

At **Controsec**, we operate through a well-established network of suppliers and technology collaborators, enabling access to advanced solutions and delivering flexible, integrated systems tailored to each project's requirements.





Target Clients

Controsec serves a wide range of clients across various sectors, including main contractors, real estate developers, government entities, private sector companies, as well as engineering and consulting firms.

We support projects of all sizes - commercial, residential, and industrial - by delivering tailored technology solutions that align with each client's specific requirements and ensure efficiency and professionalism in execution.

Client Welcome

Controsec warmly welcomes all clients and partners. We are pleased to collaborate with you in fulfilling your project requirements and delivering the most suitable solutions to achieve your objectives.

We are committed to providing a seamless experience built on prompt response, professional engagement, and high-quality delivery, aiming to establish long-term relationships founded on trust, reliability, and mutual success.



Competitive Advantages

Controsec stands out through several key strengths that make it a trusted partner in system integration, delivering value beyond simple product supply:

Specialized Team with hands-on experience in delivering and supporting diverse system projects.

Tailored Integrated Solutions designed to meet the specific technical and operational requirements of each project.

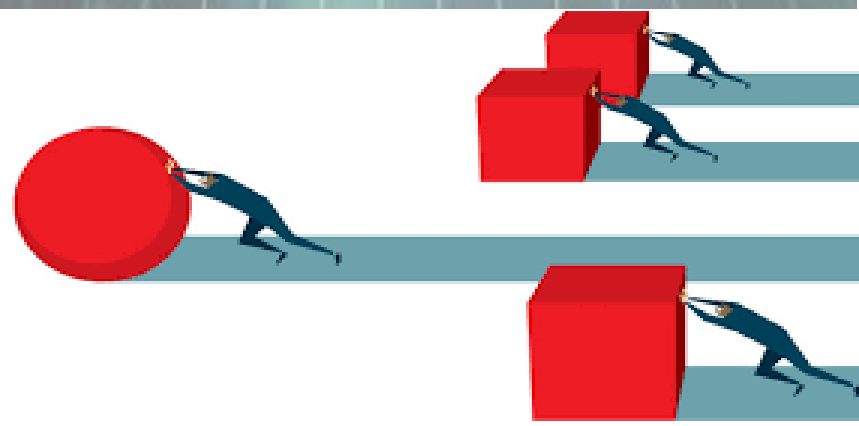
Commitment to Timely Delivery while maintaining high standards of quality and execution.

High-Quality Supply Chain through partnerships with reliable suppliers and certified products.

Fast Response & Flexibility in addressing client needs and adapting to project changes.

Sustainable Relationships with clients and suppliers built on trust, transparency, and long-term collaboration.

Technical & Advisory Support to assist clients in selecting the most suitable solutions for their projects.





Closing Statements

We look forward to building a long-term partnership with you. Thank you for considering **Controsec** as your trusted system integration partner.

We are committed to delivering excellence in every project we undertake. Your success is our priority.

We welcome the opportunity to collaborate and grow together. Driven by quality, powered by trust, and focused on your satisfaction. Delivering reliable solutions that support your vision and goals. Together, we turn requirements into successful outcomes. Committed to quality, reliability, and timely delivery. Partner with us for dependable solutions and lasting value.



Jeddah - Saudi Arabia



info@controsec.com



www.controsec.com



+966 59 353 0229



CONTROSEC